

THE AMAZING ELECTRIC CHAIN HOIST

YOYO

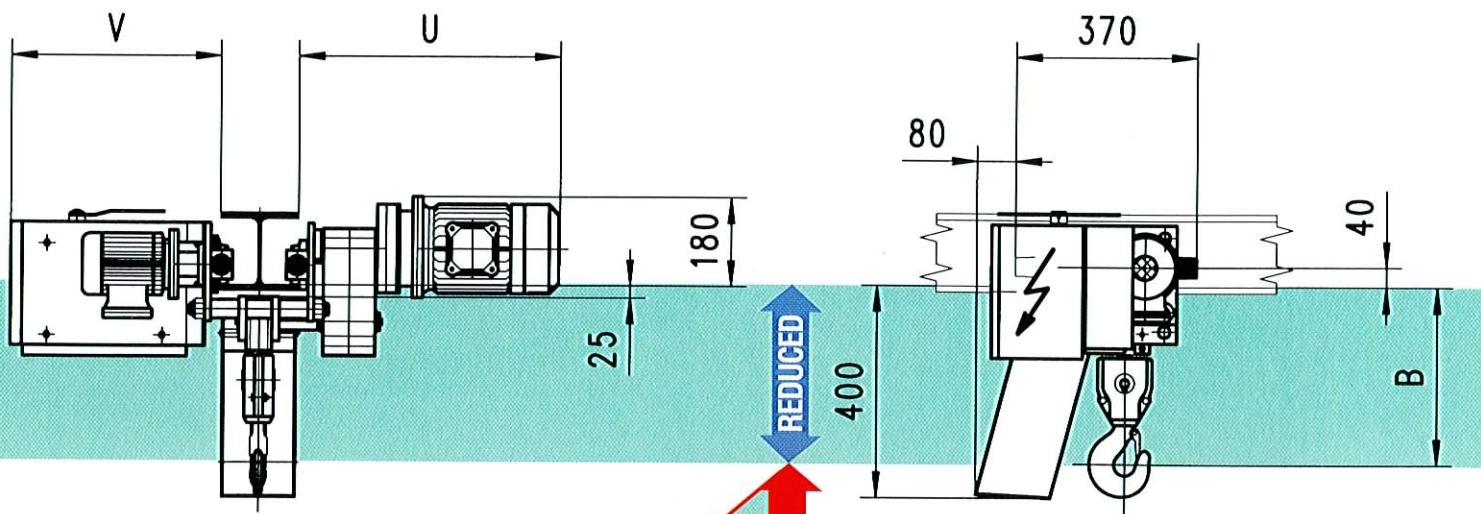
GIVES YOU

- Greatly reduced space between hook and beam
- Immediate direct fitting into the beam for all versions
- Long-life bearings and permanently lubricated reducers
- Simple modular construction for extremely limited maintenance
- Identical construction for supported, suspended and travelling versions
- Steel load-bearing structures for heavy-duty applications
- **CE** mark to grant the conformity to European Directives

20060 BUSSERO - Milano - Italy - Via Monza, 13
Tel. +39 02 950 392 51 - Fax +39 02 950 34 16
E-mail italkrane@italkrane.it - www.italkrane.it

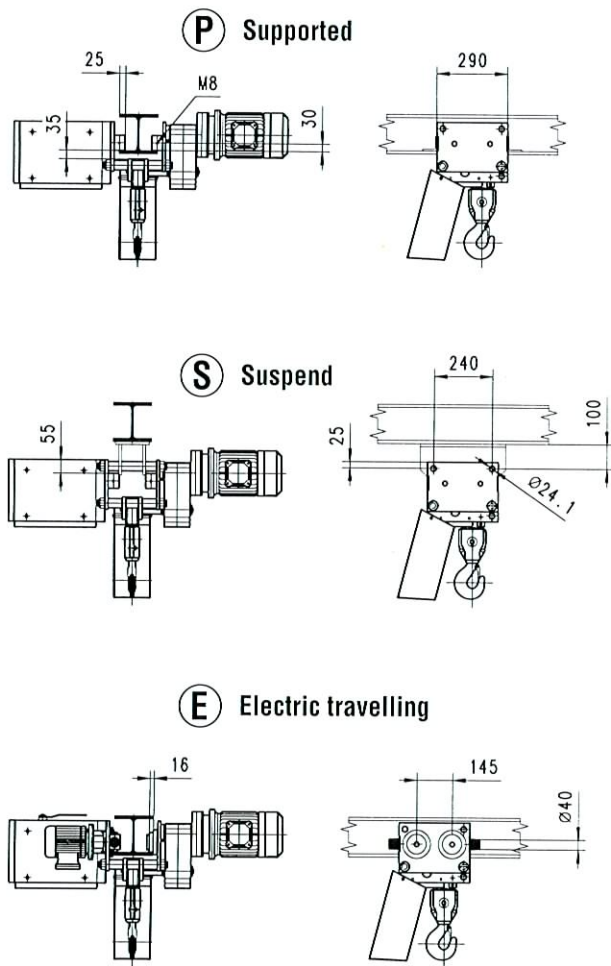


ik
italkrane



**ONLY
italkrane
HAS REACHED
THIS TOP**

SPACE WON WITH THE Yo Yo



IP 55 Standard and Ex Explosion proof
(ATEX directive)

- Motors to european norms - tropicalized with class F insulation
- Low tension control panel with main contactor buttons
- Long-life easily adjustable brake
- High precision clutch-type load limiting device
- High strength gauged chain with hardened surface for low wear and tear

	Capacity Kg	Theoric speed m/min	Hoist type	Chain falls	Power Kw	B	U	V
Single speed	500	4	YY 500 - 4	1	0,37	270	500	500
		8	YY 500 - 8		0,55			
	1000	4	YY 1000 - 4	1	0,75	300	500	500
8	YY 1000 - 8	1,1						
Dual speed	2000	4	YY 2000 - 4	2	1,1	350	550	500
		8/2	YY 500 - 8/2		0,55/0,12			
	1000	8/2	YY 1000 - 8/2	1	1,1/0,25	300	600	500
		4/1	YY 2000 - 4/1		1,1/0,25			
2000	8/2	YY 1000 - 8/2	1	1,1/0,25	300	600	500	
4/1	YY 2000 - 4/1	1,1/0,25						

Available with trolley speed 20 m/min (Kw 0,25) • 10 m/min (Kw 0,18)
Vertical path from 3 to 24 m for 1 chain fall • from 3 to 12 m for 2 chain falls • higher on request
Intermittence 40% Starting 240/h Speed referred to 50 Hz are approx $\pm 10\%$

YoYo 98 - Subject to change without notification